

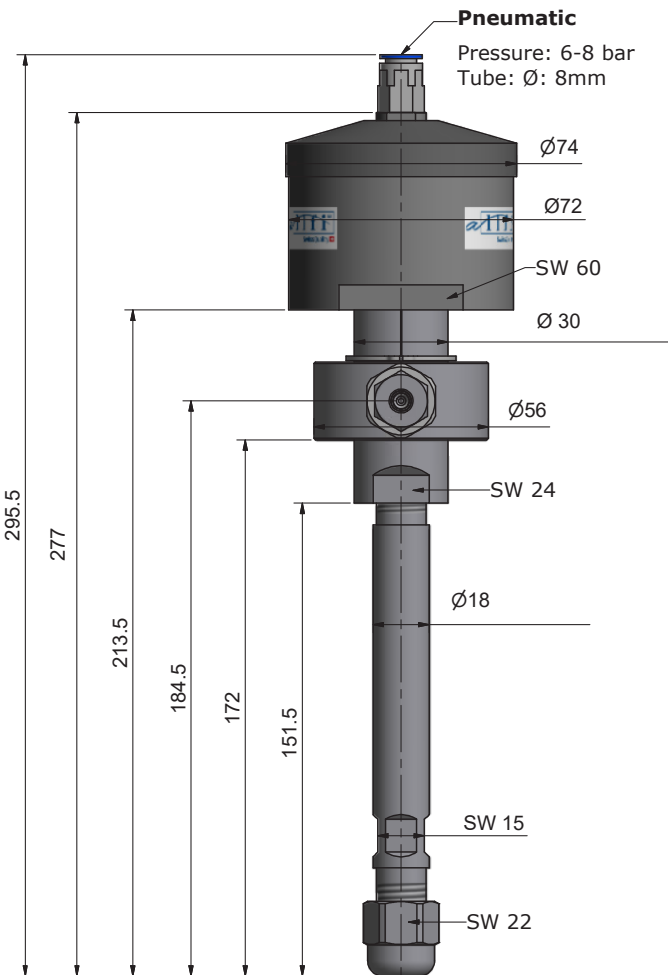


Cutting head

Cutting Head; Type V

Features

- N/C - normally closed
- Operating pressure 4'150 bar - 60'000 psi
- For pure water applications
- Customized versions available upon request



Cutting Head Type V	902000
Major components	
Cylinder	906090
Seal kit	900640
Valve seat	900014
Valve casing	900620
Nozzle cap	900060

For more information

ALLFI information : allfi.com
 ALLFI webshop : waterjet24.com
 Contact us : sales@allfi.com

