

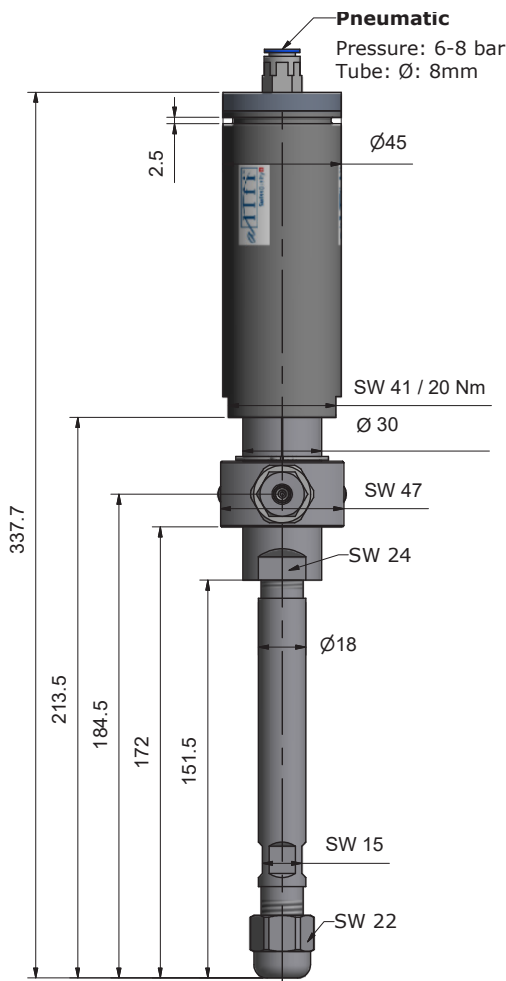


Cutting head

Cutting Head; Type VI

Features

- N / C - normally closed
- Operating pressure 4'150 bar - 60'000 psi
- Slim design allows multiple cutting heads
- Diameter - 47mm
- For pure water applications
- Customized versions available upon request



Cutting Head Type VI	903000
Major components	
Cylinder	903090
Seal kit	900640
Valve seat	900014
Valve casing	900620
Nozzle cap	900060

For more information

ALLFI information : allfi.com
 ALLFI webshop : waterjet24.com
 Contact us : sales@allfi.com

Superior Waterjet Parts

