

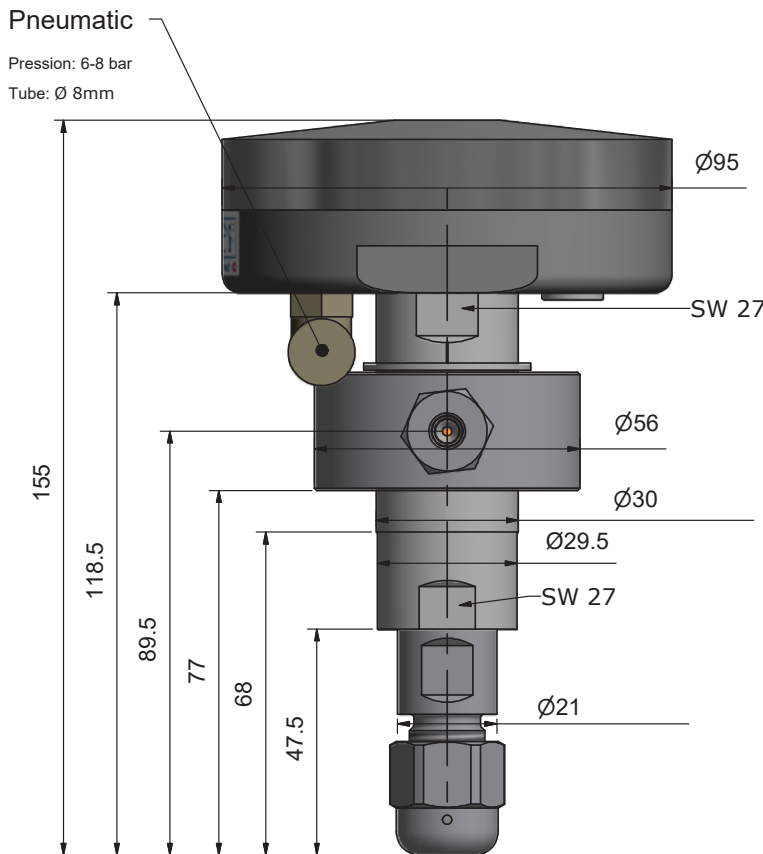
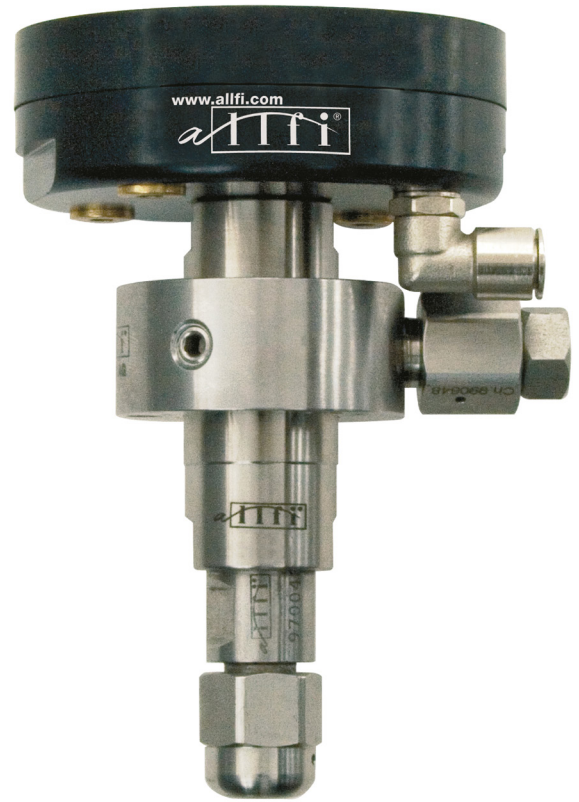


Cutting head

# Cutting Head; Type VIII

## Features

- N/C - normally closed
- 60'000 psi version
- Universal application
- Use of 3D systems
- Custom versions are available within a short time
- Optional sensor monitoring



Cutting Head Type VIII	904400
Major components	
Cylinder	904490
Seal kit	901430
Valve seat	900411
Valve casing	900810
Nozzle cap	900060

For more information

ALLFI information : [allfi.com](http://allfi.com)  
 ALLFI webshop : [waterjet24.com](http://waterjet24.com)  
 Contact us : [sales@allfi.com](mailto:sales@allfi.com)

Superior Waterjet Parts

