

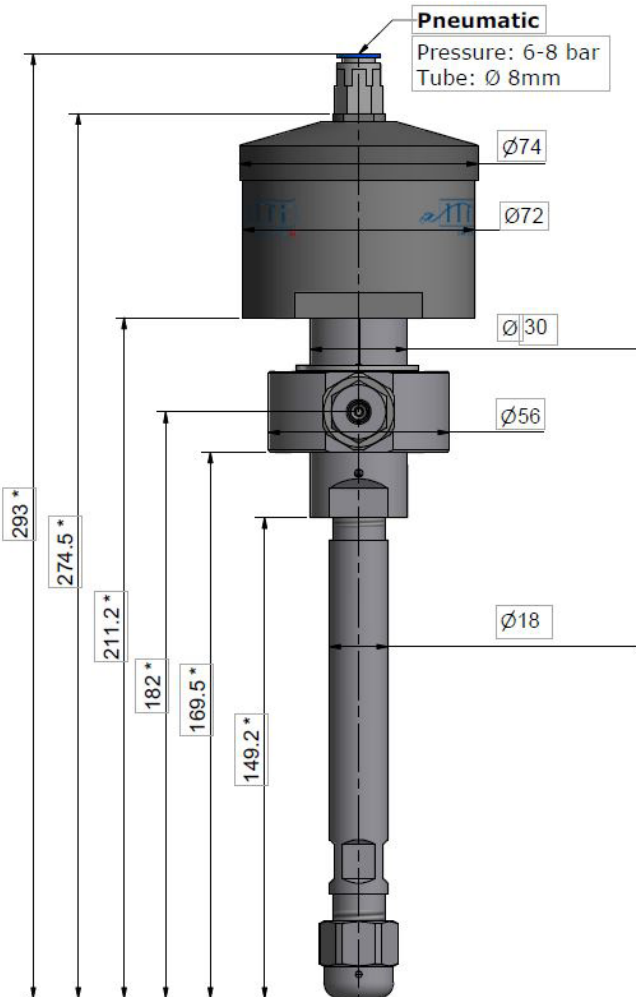


Cutting head

Cutting Head; Type III

Features

- N/C - normally closed
- Operating pressure 4'150 bar - 60'000 psi & 6'200 bar - 90'000 psi
- Universal application
- Customized versions available upon request



Cutting Head Type III 6 200bar	906000-P	
Cutting Head Type III 4 150bar	906000	
Major components		
Cylinder	906090	906090-P
Seal kit	900630	900640
Valve seat	900014	900014
Valve case	900610	906020-P
Nozzle cap	900060	900060-P

For more information

ALLFI information : allfi.com
 ALLFI webshop : waterjet24.com
 Contact us : sales@allfi.com

Superior Waterjet Parts

