

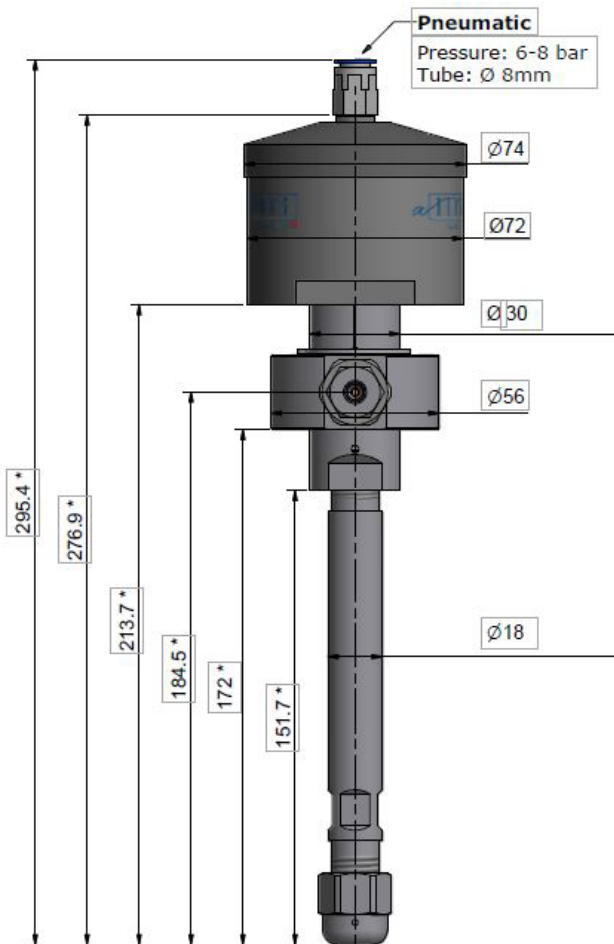


Cutting head

Cutting Head; Type IV

Features

- N / C - normally closed
- Operating pressure 4'150 bar - 60'000 psi
- Opens at 0 psi water pressure
- For stone, glass, carbon, etc.
- Customized versions available upon request



Cutting Head Type V	906400
Major components	
Cylinder	906490
Seal kit	901430
Valve seat	900014
Valve case	900610
Nozzle cap	900060

For more information

ALLFI information : allfi.com
 ALLFI webshop : waterjet24.com
 Contact us : sales@allfi.com

Superior Waterjet Parts

