

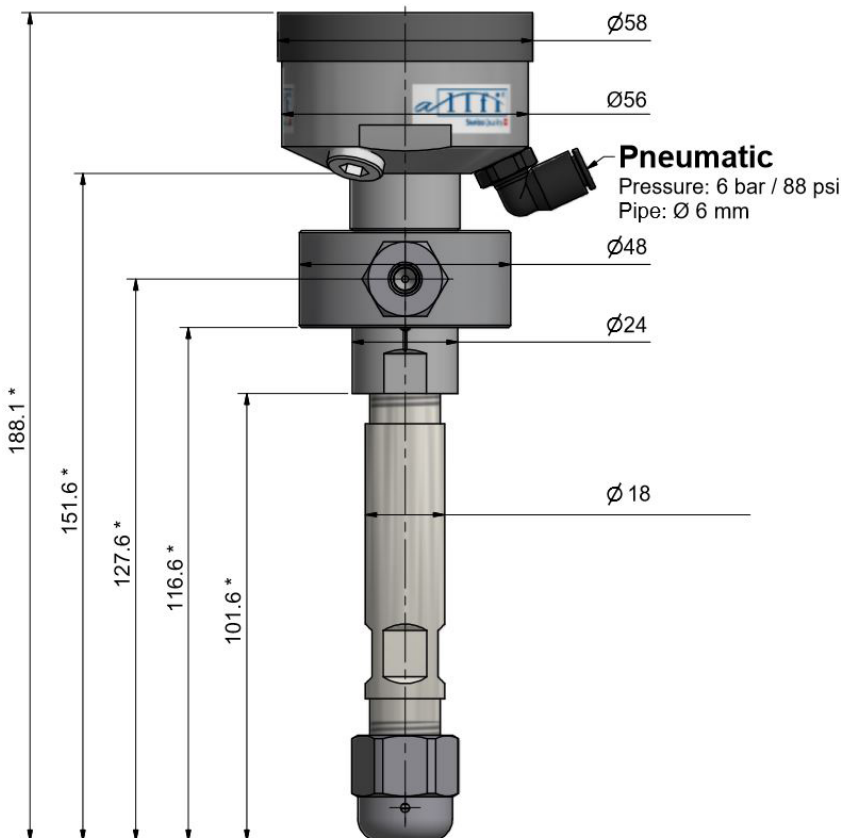


Cutting head

Cutting Head; Type X

Features

- N/C - normally closed
- Operating pressure 4'150 bar - 60'000 psi
- Compact design with minimum weight - 670 g
- (with collimation tube 100mm)
- Universal application
- Short switching cycle of 0.12 sec
- Length 190 mm
- Diameter 56 mm
- Customized versions available upon request



Cutting Head Type X	907000
Major components	
Cylinder	907290
Seal kit	907230
Valve seat	907214
Valve casing	907210
Nozzle cap	900060

For more information

ALLFI information : allfi.com
 ALLFI webshop : waterjet24.com
 Contact us : sales@allfi.com

Superior Waterjet Parts

